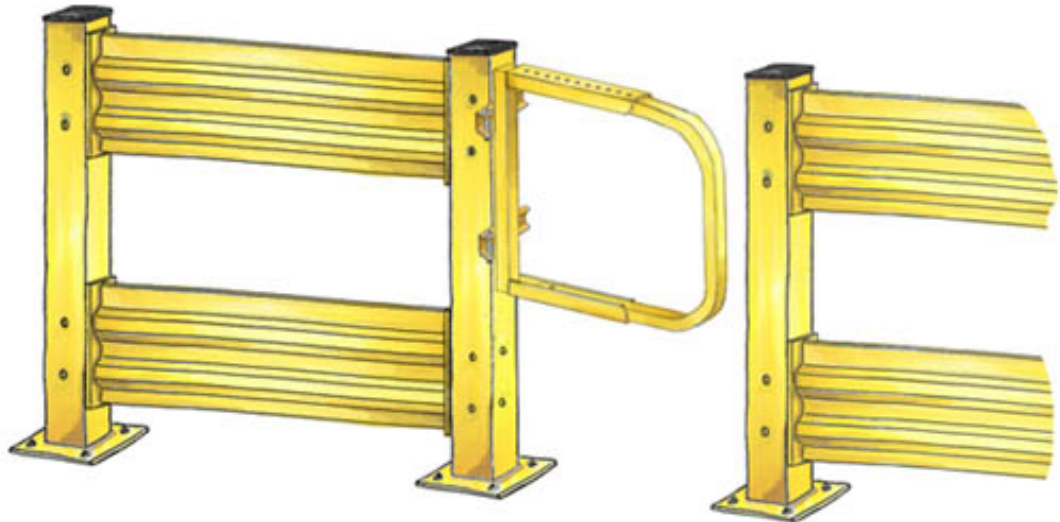




SWING GATE INSTALLATION INSTRUCTIONS



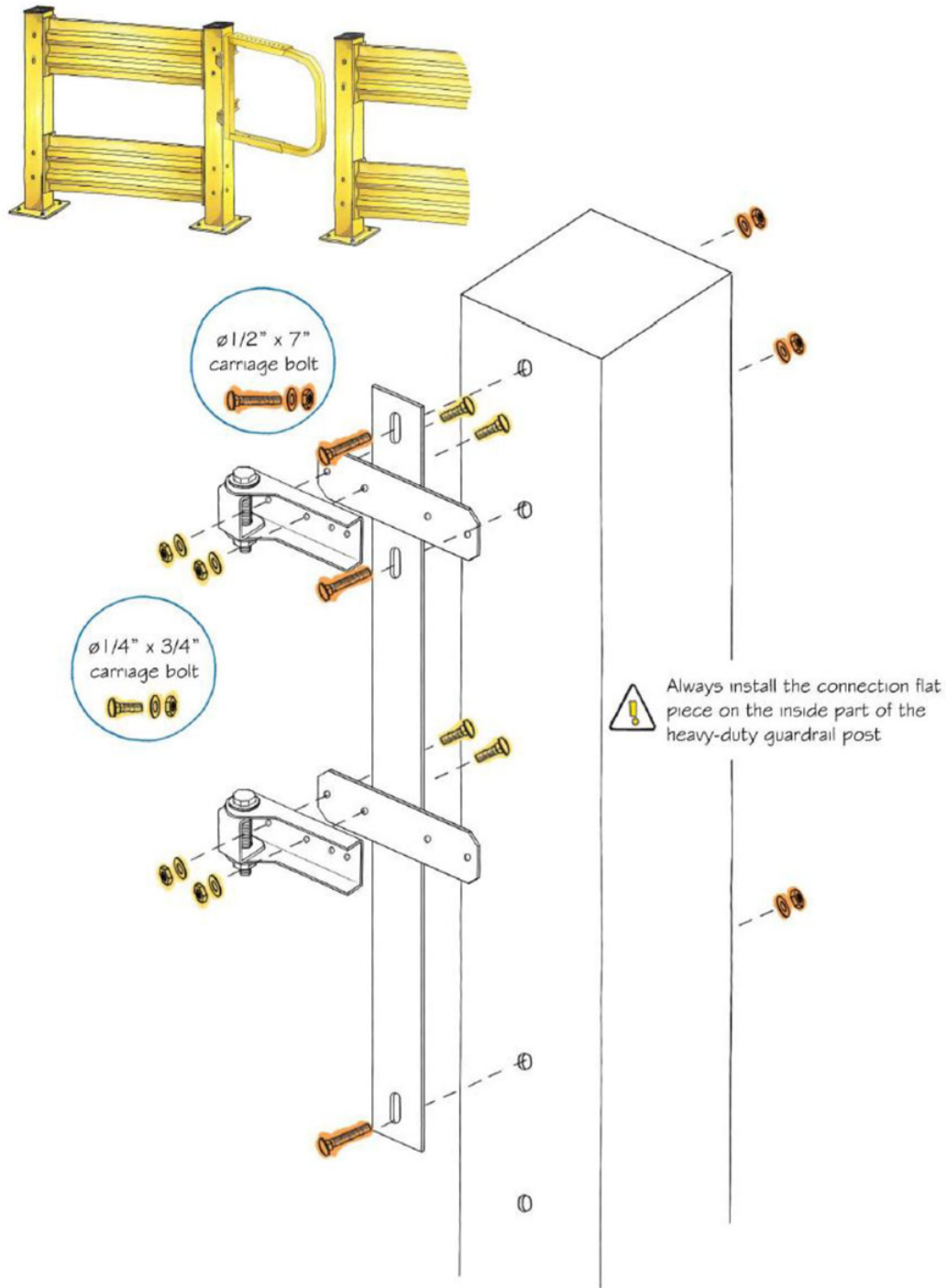
1-800-868-5438 • 724-446-2000 • FAX: 724-446-0988

email: sales@herwin.biz www.herwin.biz

www.Guardsmith.com www.Notchguard.com www.Exteriorguard.com

Heavy-Duty Guardrail Installation

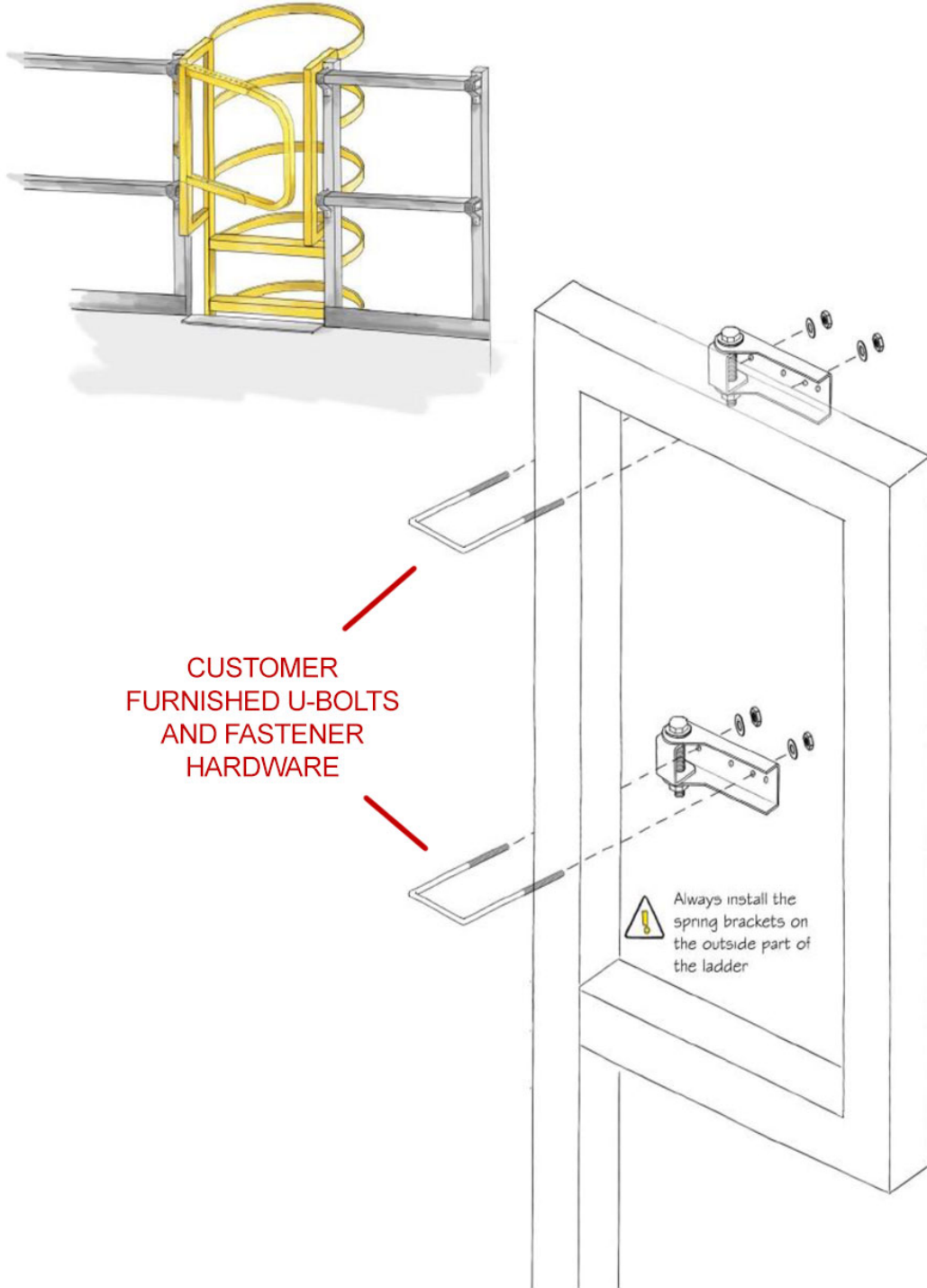
The top of gate must be 42" high from the floor.



1-800-868-5438

Mezzanine Ladder Installation

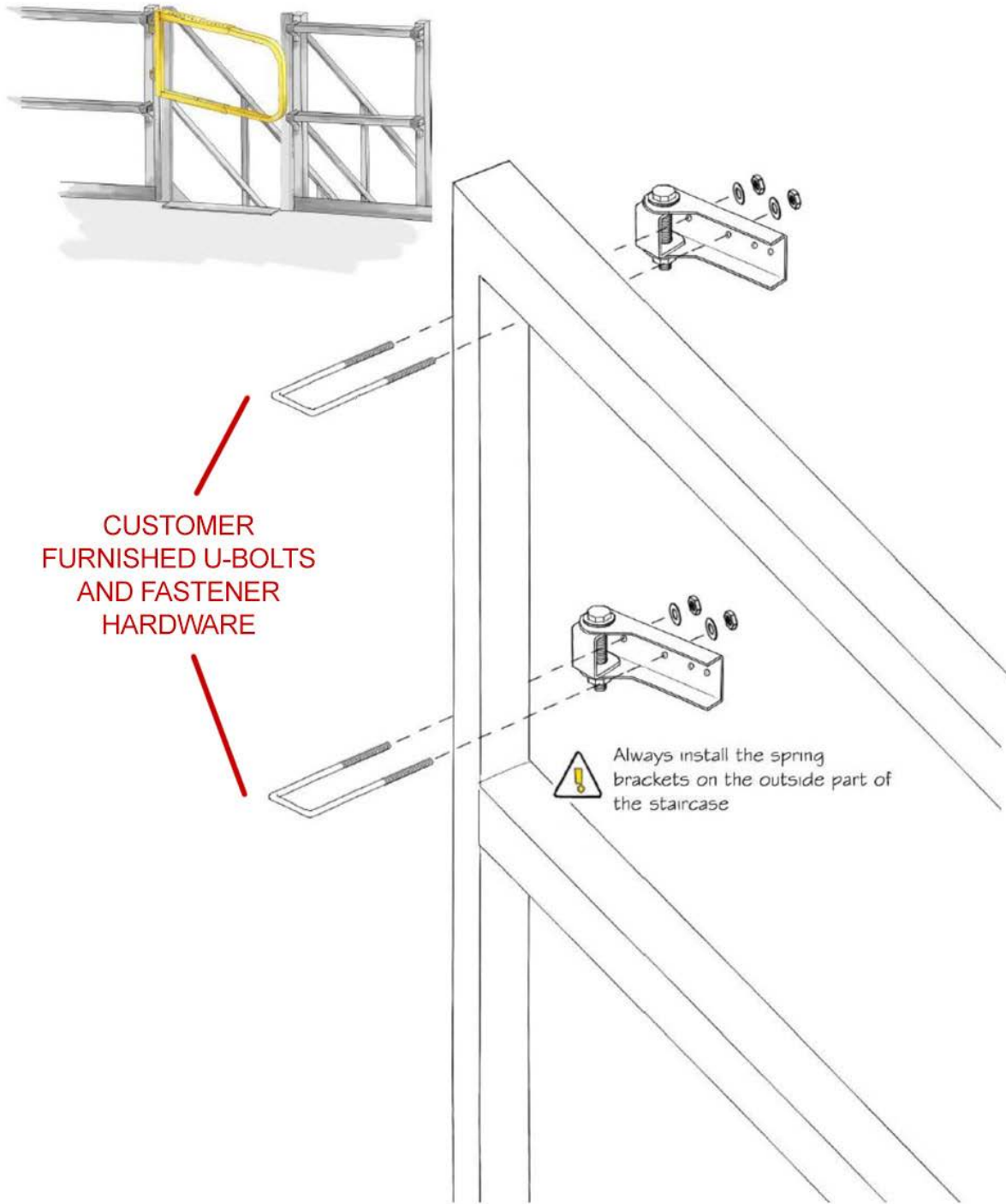
The top of the gate must be 44" high from the ground.



1-800-868-5438

Mezzanine Staircase Installation

The top of the gate must be between 41"- 42" high from the top of the deck.



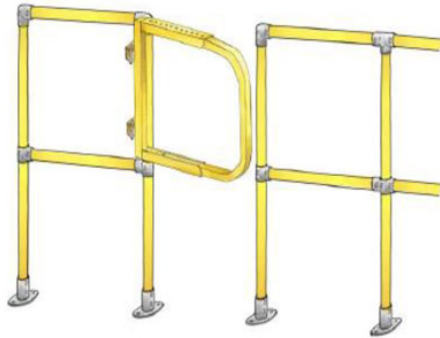
**CUSTOMER
FURNISHED U-BOLTS
AND FASTENER
HARDWARE**

**Always install the spring
brackets on the outside part of
the staircase**

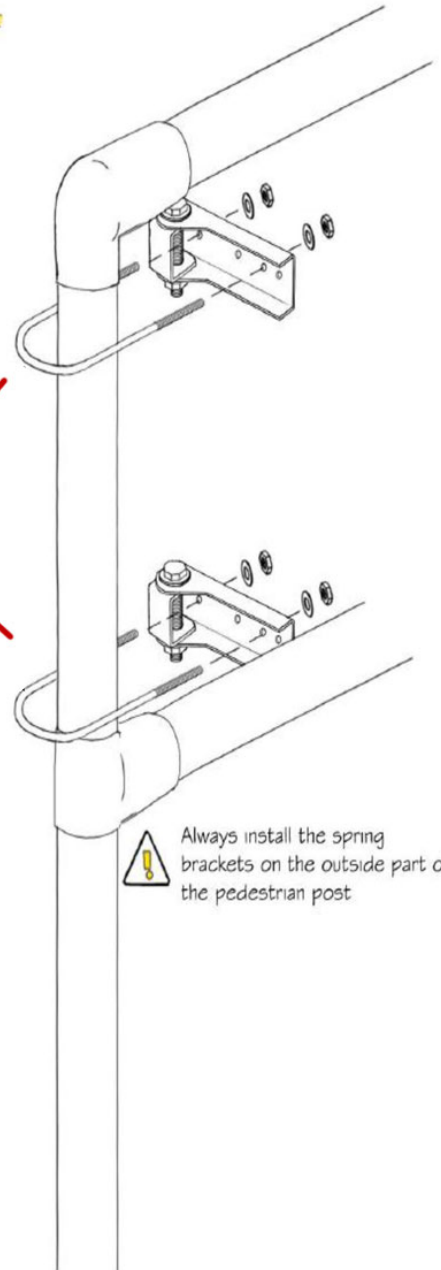
1-800-868-5438

Pedestrian Barrier Installation

The top of the gate must be 42" high from the ground.



CUSTOMER
FURNISHED U-BOLTS
AND FASTENER
HARDWARE



Always install the spring brackets on the outside part of the pedestrian post

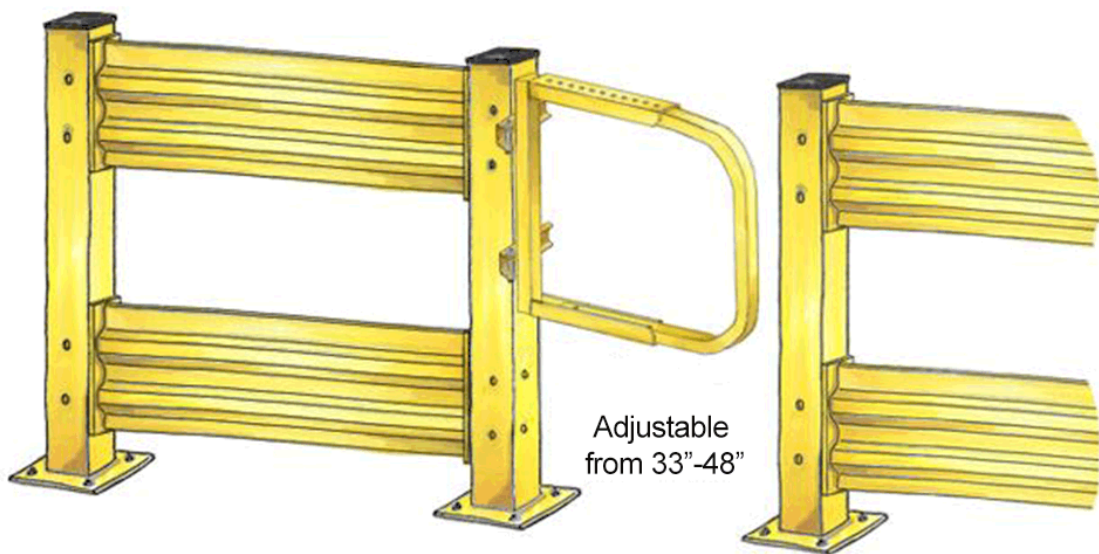
1-800-868-5438

Herwin's self-closing safety gate is an economical and practical solution for guarding openings in your heavy-duty guardrail system. Control traffic circulation without limiting pedestrian access to critical work areas.

Spring-loaded hinges ensure our safety gates close automatically. Safety gates cannot be left open by accident, preventing anyone from knowingly walking or backing into the opening. Maintenance workers and other employees will remain separated from warehouse traffic while operating machinery or otherwise moving throughout the work area.

The symmetrical design means our safety gates can swing from either left or right. The safety gate is adjustable from 33"- 48". Our self-closing safety gate is sealed in a durable, powder-coated safety yellow paint finish for maximum visibility.

Please note that our self-closing safety gates do not have the same impact-resistance capacity as heavy-duty guardrail and should not be relied on for crash protection.



Model # GS-GATE



1-800-868-5438